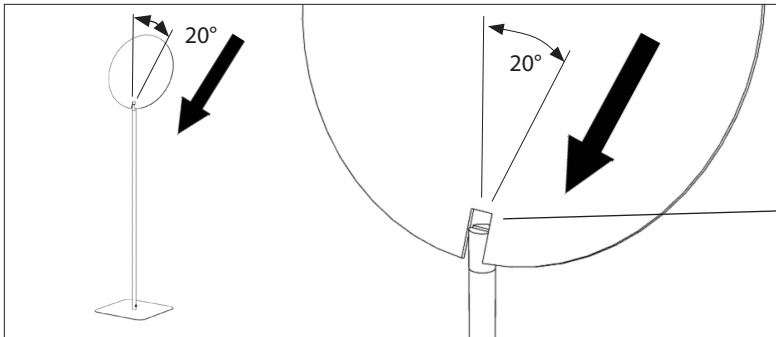
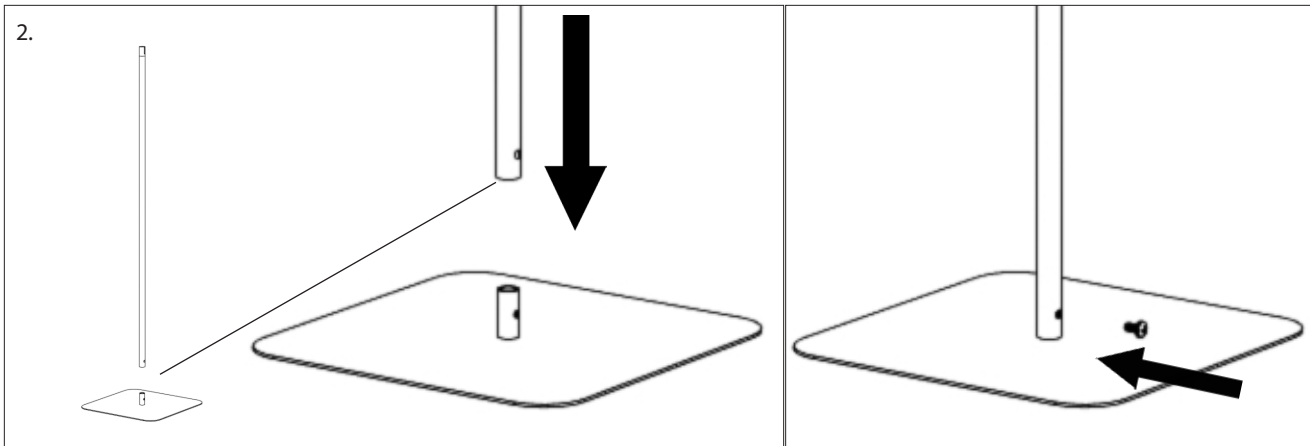
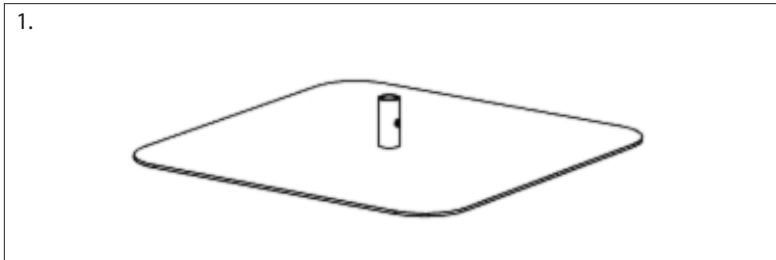


Lollipop Air Stand - LOLPOP-AIR Series

1. Place base on floor with felt bumpers facing floor.
2. Find round black upright. Upright has a hole on one side near the end. This end will go over the silver aluminum tube pre-attached to the base. Remove the screw from the silver base tube, slide the black upright over the silver base tube, and then re-attach the screw through the upright into the base tube and fully tighten.
3. Graphic is notched with an opening to fit into the slot built into the top of the upright. With two clean hands, angle the graphic back ~20 degrees and align the notch in the graphic with the slot in the upright. Slowly rotate the graphic up to vertical while putting light downward pressure on the graphic to slide the graphic into the top of the upright. Make sure to slide the graphic all the way down into the slot, so the bottom of the slot and the bottom of the graphic's notch are touching.



LOLPOP-AIR-B with 15" graphic shown